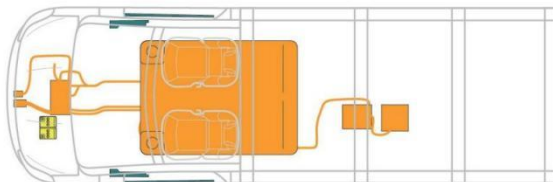
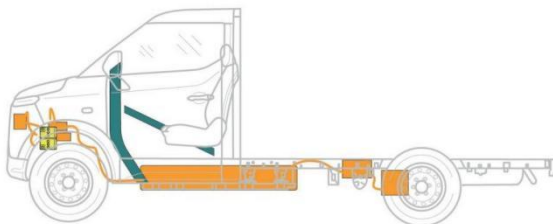
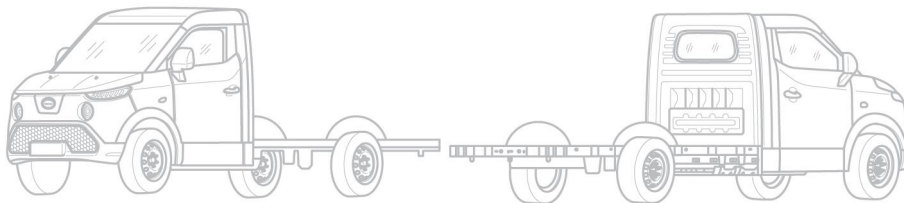


LS260 Flatbed Rescue Information Card

CENNTRO

**CENNTRO AUTOMOTIVE
CORPORATION LS260 Flatbed**



High voltage battery pack



Low voltage battery



High voltage
components



High voltage cables

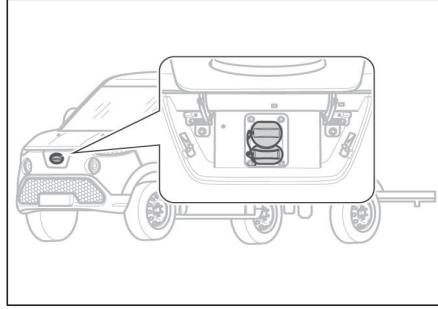
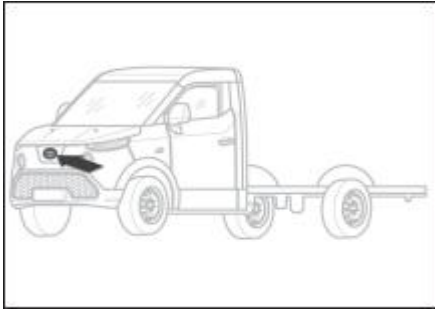


High intensity zone

LS260 Flatbed Rescue Information Card

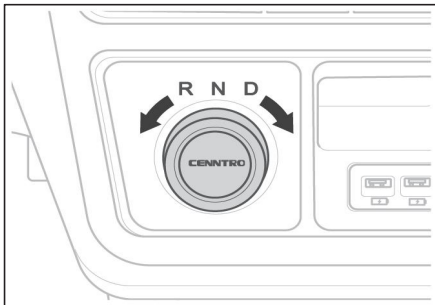
Identification of the Vehicle Model and Specific Version

LS260 can be identified through the charging socket and logo.

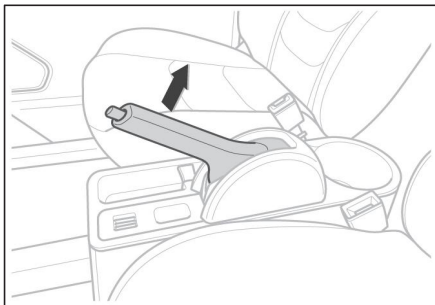


Avoidance of Roll Away of the Crashed Vehicle

Parking operation



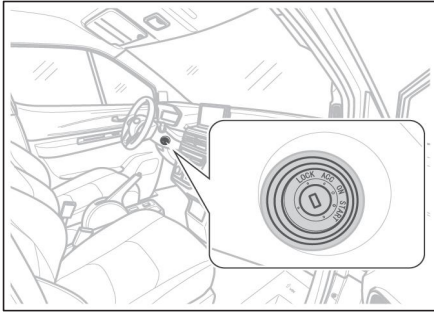
1. Operate the gear shifting mechanism to shift to "N" gear.



2. Pull up the parking brake/handbrake.

LS260 Flatbed Rescue Information Card

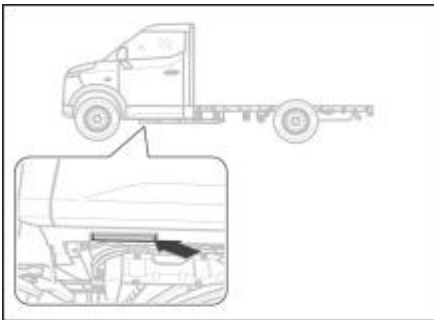
Turn off the ignition switch



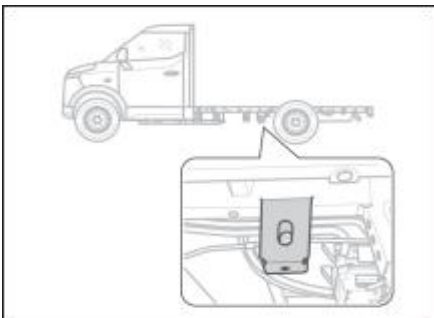
Turn the key counterclockwise to the "LOCK" position.

Raising position

There are places to set up jacks at the front and rear of the vehicle bottom.



- The jack is used to jack up the front bottom.



- The jack is used to jack up the rear bottom.

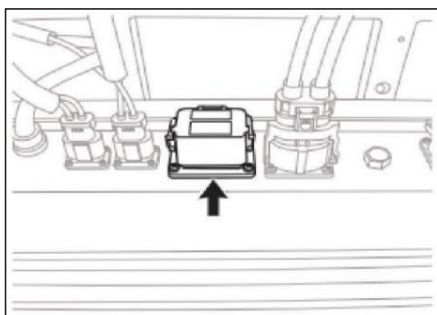
LS260 Flatbed Rescue Information Card

Deactivating of HV system and drive train

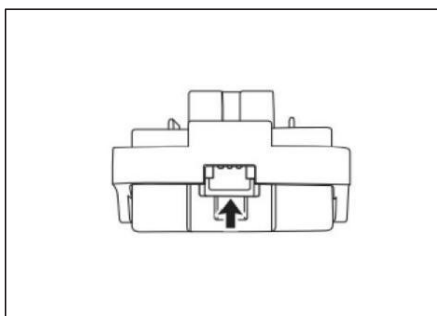
Turn off the high-voltage power system

In case of an accident, the high-voltage power may be automatically disconnected. If it is not automatically disconnected, please disconnect the high-voltage power system as follows:

1. Find the high-voltage emergency disconnection device (located directly in front of the power battery near the front of the vehicle).

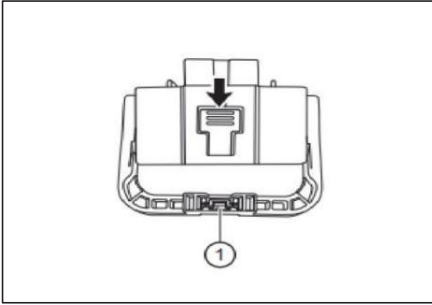


2. Lift the plug according to the information shown in the diagram and disconnect the high-voltage power.



3. Push out the first locking clip (as shown by the arrow) of the maintenance switch and keep it unlocked.

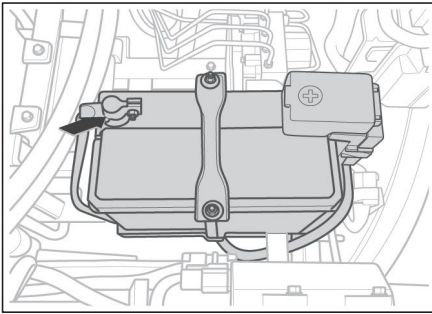
LS260 Flatbed Rescue Information Card



4. Pull the black handle ① to the maximum travel position.

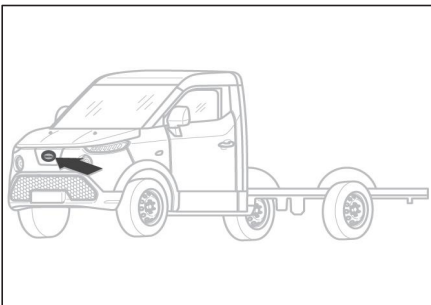
Press the locking mechanism (as shown by the arrow) twice and simultaneously pull out the maintenance switch.

Disconnect 12V battery



Find the 12V battery located in the front cabin and remove the negative wire of the 12V battery.

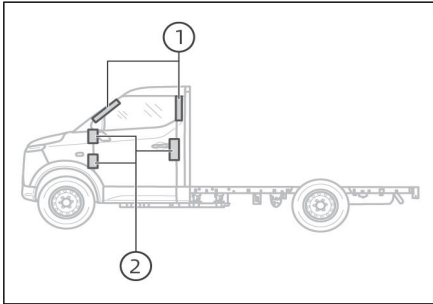
Disconnect the charging cable



The charging socket is located at the front trademark. For vehicle that is under charging: disconnect the charging station plug and then unplug the charging gun from the vehicle. This vehicle is set to cannot automatically disconnect the charging gun from the vehicle charging port before disconnecting the input power supply.

LS260 Flatbed Rescue Information Card

Additional information for rescuing



① Cuttable area

② Areas difficult to be cut

» The reinforcement structure area of the vehicle is the area difficult to be cut, such as door hinges, door locks, etc.

The high-temperature and high-voltage areas of the vehicle are prohibited from cutting, such as power battery, drive motor, high-voltage electrical box, high-voltage wiring harness, etc. For more information, professional rescue guidance can be followed, and rescue personnel must follow relevant safety information.

Additional information in case of a fire

Vehicle on fire

Use a large amount of water (H₂O) to extinguish the fire.

Use a large amount of water (H₂O) to cool the lithium-ion battery.

If the wiring harness emits smoke and catches fire, use a carbon dioxide or dry powder fire extinguisher to spray.



Warning

- Be careful of battery re-ignition.
- If the coolant leaks from the high-voltage battery, due to thermal overload, the coolant may become unstable. Use an infrared thermal imager to check the battery temperature.

LS260 Flatbed Rescue Information Card

Vehicle submerged in water

When the vehicle is partially or completely submerged in water, turn off the vehicle power and escape in time. If there is no bubble or squeak during salvage, salvage operation can be carried out. In case of bubble or squeak, wait until there is no bubble or squeak. At this time, there is no risk of electric shock when touching the vehicle body or structure in or out of water.

After salvaging the vehicle:

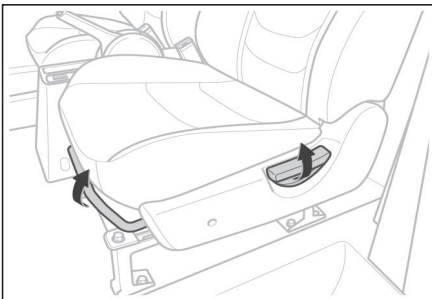
1. Drain the water from the vehicle interior.
2. Deactivate the high-voltage system.

Miscellaneous information

Construction of rescue channels

When rescuing passengers, avoid power cables and front door collision beams.

➤ Seat adjustment



- Backrest adjustment
 - » Pull up the adjustment handle located on the outside of the seat, wait until it is adjusted to the desired angle, and then release the adjustment handle.

- Fore and aft position adjustment

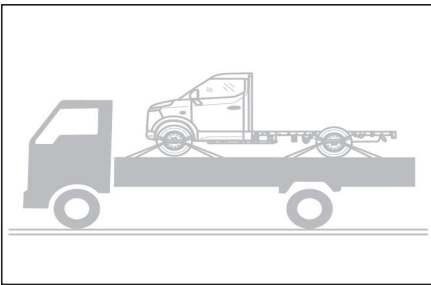
- » Pull up the front control handle, move the seat to a satisfactory position, and then release the handle.

LS260 Flatbed Rescue Information Card

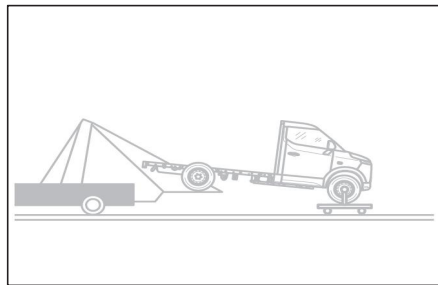
- Laminated safety glass
- The glass used in the vehicle is laminated safety glass.

Towing/transfer/storage

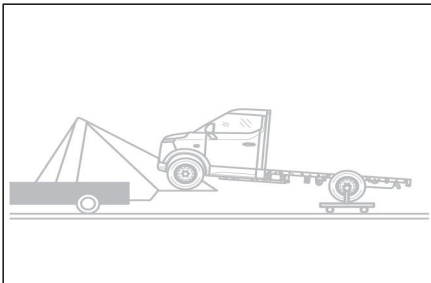
When transporting vehicles, both axles of the vehicle must be on the trailer or vehicle transport truck. Maintain a safe distance from other vehicles.



Flatbed trailer



Trailer with front wheels on the ground



Trailer with rear wheels on the ground