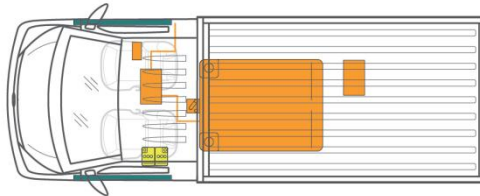
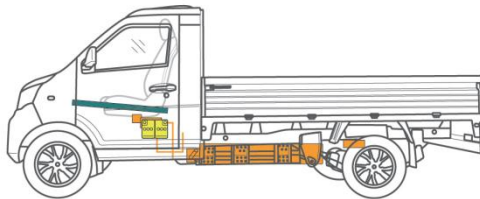
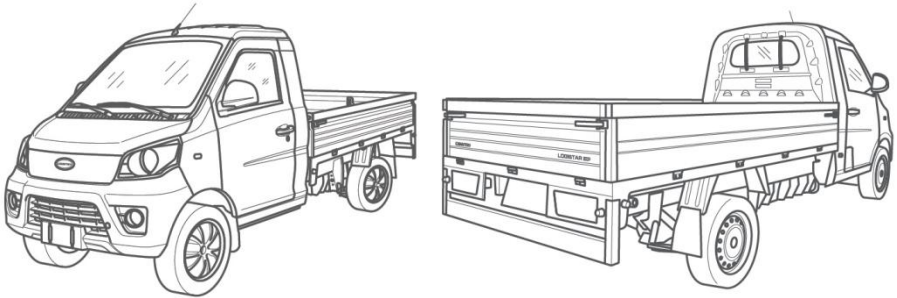


LS200 Pick-up Rescue Information Card

CENNTRO

**CENNTRO AUTOMOTIVE
CORPORATION LS200 Pick-up**



High voltage battery pack



Low voltage battery



High voltage
disconnection



High voltage components



High voltage cables

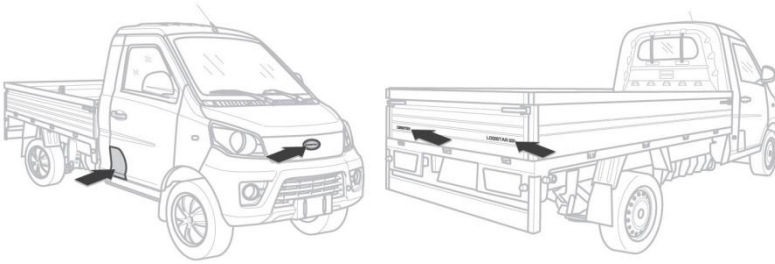


High intensity zone

LS200 Pick-up Rescue Information Card

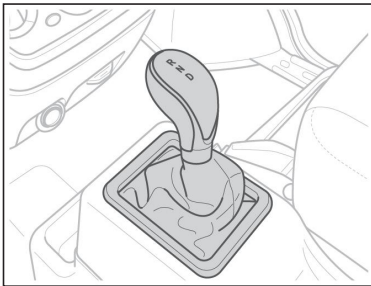
Identification of the Vehicle Model and Specific Version

LS200 Pick-up can be identified through the charging socket and logo.

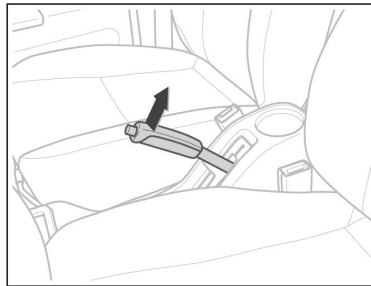


Avoidance of Roll Away of the Crashed Vehicle

Parking operation

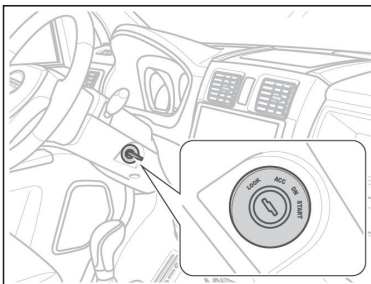


1. Operate the gear shifting mechanism to shift to "N" gear.



2. Pull up the parking brake/handbrake.

Turn off the ignition switch

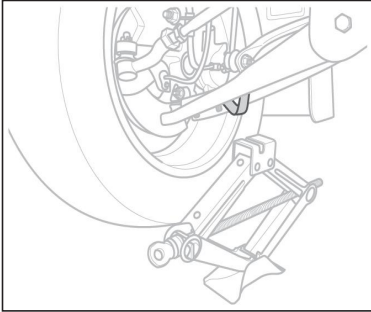


Turn the key counterclockwise to the "LOCK" position.

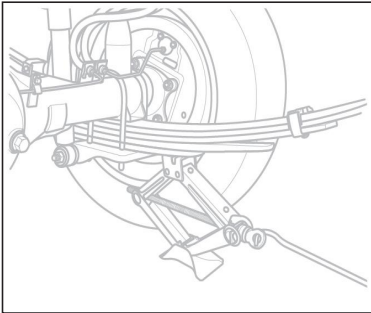
LS200 Pick-up Rescue Information Card

Raising position

There are places to set up jacks at the front and rear of the vehicle bottom.



- Front axle: as shown in the figure, the jack should be pressed under the lower swing arm, and the jack support surface should be placed between the fastening nut and the V-shaped corner piece.



- Rear axle (leaf spring): as shown in the figure, the jack should be used to hold the leaf spring.

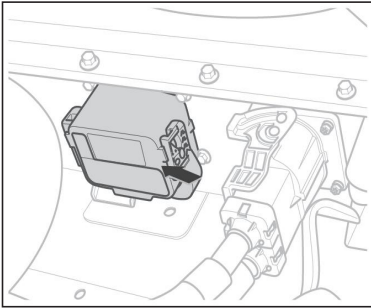
Deactivating of HV System and Drive Train

Turn off the high-voltage power system

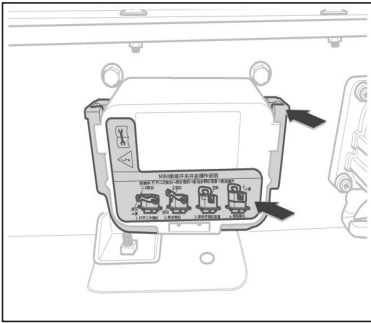
In case of an accident, the high-voltage power may be automatically disconnected. If it is not automatically disconnected, please disconnect the high-voltage power system as follows:

- Option 1- Carry out high voltage emergency disconnection operation at the bottom of the vehicle

LS200 Pick-up Rescue Information Card

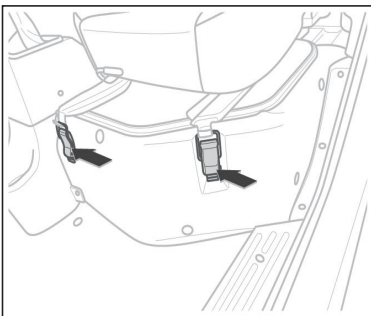


1. Find the high-voltage emergency disconnection device (located directly in front of the power battery near the front of the vehicle).

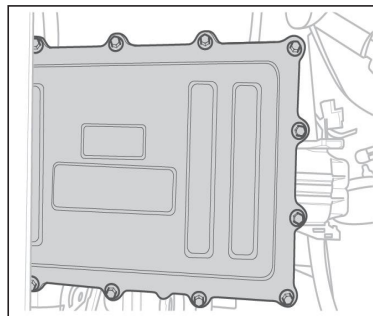


2. Lift the plug according to the information shown in the diagram and disconnect the high-voltage power.

- Option 2- Emergency disconnect the high-voltage fuse below the front passenger seat



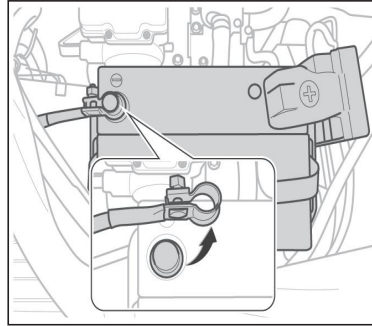
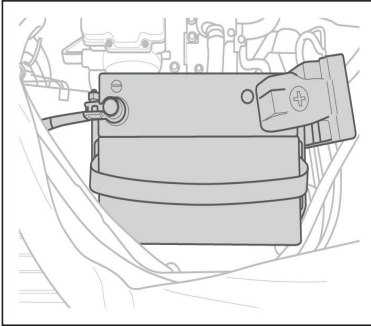
1. Release the seat latch.



2. Find the high-voltage control box.
3. Identify the high-voltage fuse and unplug it.

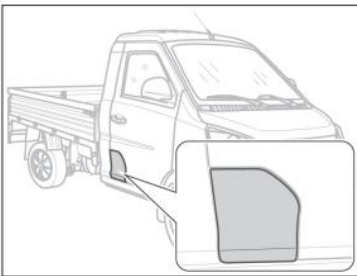
LS200 Pick-up Rescue Information Card

Disconnect 12V battery



1. Find the 12V battery located under the driver seat.
2. Remove 12V battery negative wire.

Disconnect the charging cable



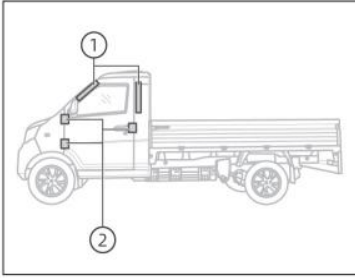
The fast/slow charging port is located on the front passenger side.

For vehicle that is under charging: disconnect the charging station plug and then unplug the charging gun from the vehicle.

This vehicle is set to cannot disconnect the charging gun from the vehicle charging port before being fully charged or disconnecting the input power supply.

LS200 Pick-up Rescue Information Card

Additional Information for Rescuing



- ① Cuttable area
- ② Areas difficult to be cut
 - » The reinforcement structure area of the vehicle is the area difficult to be cut, such as door hinges, door locks, etc.

The high-temperature and high-voltage areas of the vehicle are prohibited from cutting, such as power battery, drive motor, high-voltage electrical box, high-voltage wiring harness, etc.

For more information, professional rescue guidance can be followed, and rescue personnel must follow relevant safety information.

Additional Information in Case of a Fire

Vehicle on fire

Use a large amount of water (H₂O) to extinguish the fire.

Use a large amount of water (H₂O) to cool the lithium-ion battery.

If the wiring harness emits smoke and catches fire, use a carbon dioxide or dry powder fire extinguisher to spray.



Warning

- Be careful of battery re-ignition.
- If the coolant leaks from the high-voltage battery, due to thermal overload, the coolant may become unstable. Use an infrared thermal imager to check the battery temperature.

LS200 Pick-up Rescue Information Card

Vehicle submerged in water

When the vehicle is partially or completely submerged in water, turn off the vehicle power and escape in time. If there is no bubble or squeak during salvage, salvage operation can be carried out. In case of bubble or squeak, wait until there is no bubble or squeak. At this time, there is no risk of electric shock when touching the vehicle body or structure in or out of water.

After salvaging the vehicle:

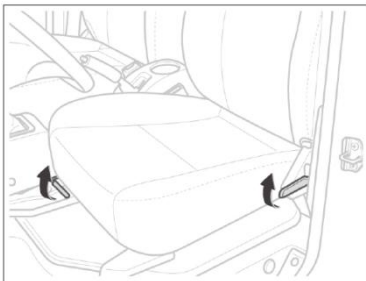
1. Drain the water from the vehicle interior.
2. Deactivate the high-voltage system.

Miscellaneous information

Construction of rescue channels

When rescuing passengers, avoid power cables and front door collision beams.

- Seat adjustment



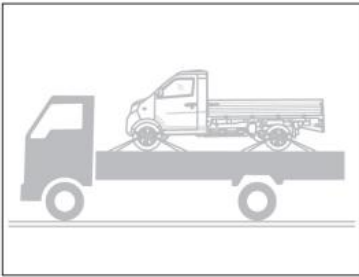
- Backrest adjustment
 - » Pull up the adjustment handle located on the outside of the seat, wait until it is adjusted to the desired angle, and then release the adjustment handle.
- Fore and aft position adjustment
 - » Pull up the front control handle, move the seat to a satisfactory position, and then release the handle.

LS200 Pick-up Rescue Information Card

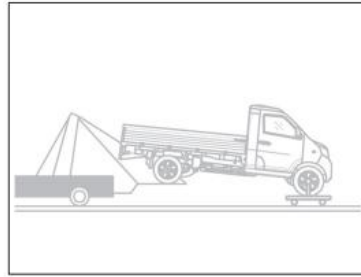
- Laminated safety glass
- The glass used in the vehicle is laminated safety glass.

Towing/transfer/storage

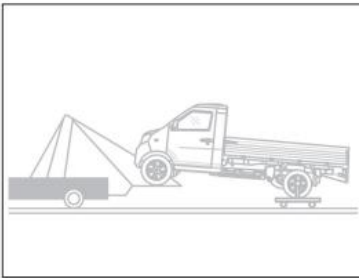
When transporting vehicles, both axles of the vehicle must be on the trailer or vehicle transport truck. Maintain a safe distance from other vehicles.



Flatbed trailer



Trailer with front wheels on the ground



Trailer with rear wheels on the ground